

Pressure Relief Valve

A part of Witec Pressure Relief Valve



Key Features

- Accurate and repeatable crack pressure
- 100% Factory and preset testing
- Wide Range of fluid compatibility
- Excellent re-seal performance
- Compact size

Product Description

A compact, highly accurate, direct acting pressure relief valve. Factory preset to 0.3, 0.8 Bar or 1.5 Bar crack pressure. Internal adjustment provides tamper proof safety against pressure changes.



Specifications

Type

Pressure Relief Valve

Part no.

WTC 3000-series

Fluid Compatibility

Mineral Oil, Water Based Glycol & Seawater

Operating Temperature

-10°C / + 60°C (14°F / 122°F)

Cracking pressure

0.3, 0.8 or 1.5 Bar

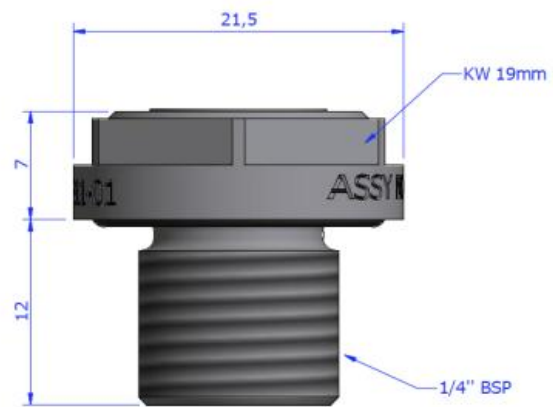
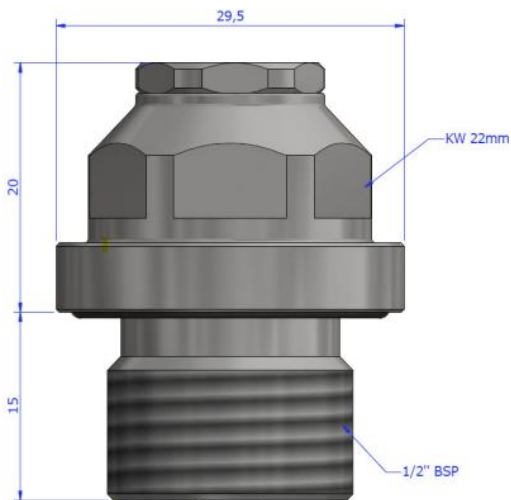
Body Material

AISI316L / NBR

Pressure Relief Valve

A part of Witec Pressure Relief Valve

Dimensions



Type

WTC3001	PRV 1/2" BSP	0,8 Bar Crack Pressure
WTC3002	PRV 1/2" BSP	1,5 Bar Crack Pressure
WTC3003	PRV 1/4" BSP	0,8 Bar Crack Pressure
WTC3004	PRV 1/4" BSP	1,5 Bar Crack Pressure
WTC3007	PRV 1/2" BSP	0,3 Bar Crack Pressure