

Subsea Pressure Compensator

A part of Witec Subsea Pressure Compensator Series



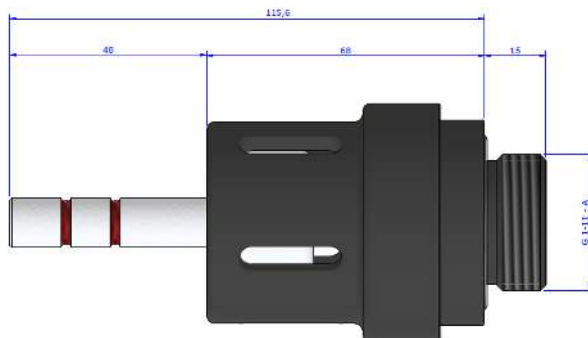
Key Features

- Compact and low weight
- Flexible and reliable
- Wide range of fluid compatibility
- Easy installation
- Consists of few components

Product Description

The 30ml compensator design is simple and consist of few parts which prevents potential errors. The compensator parts are machined with subsea suitable materials.

The compensator contains a rolling diaphragm which ensures a smooth and linear movement of the piston. The oil level indicator is placed in center on the back end and allows you to easily visually inspect the oil level inside.



Specifications

Type

30ml Subsea Pressure Compensator

Part no.

WTC 3000-series

Body Material

POMC / NBR or Viton

Fluid Compatibility

Mineral Oil, Water Based Glycol & Seawater

Operating Temperature

-10°C / + 60°C (14°F / 122°F)

Interface

1" BSP

Cracking pressure

0,7 Bar

Dimensions

Ø60 - Length 68mm + Indicator rod Max stroke - 48mm